

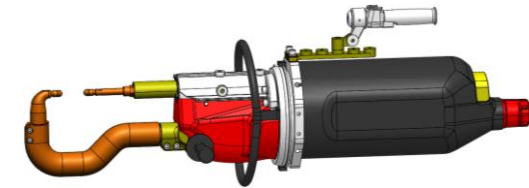
Air or Servo -Integrated Transformer – C GUN Type

■ Features

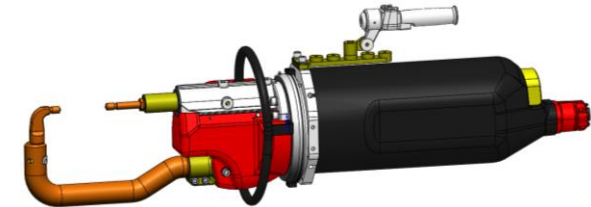
- Standard body for Air Cylinder or Servo motor configuration (switch between cylinder and motor is only necessary)
- Gun body structure designed for 600Kgf, max. force is relative to the window design
- Servo motor configuration advantages :
Soft contact on panel / no air energy necessary / stroke and force adjustable easily

	ICS Small Body		ICM Medium Body		ICL Large Body	
	Ø80	Ø90	Ø80	Ø90	Ø80	Ø90
Air Cylinder Diameter (mm)	Ø80	Ø90	Ø80	Ø90	Ø80	Ø90
Air Cylinder Configuration Min. / Max. Force (Kgf)	160 / 450	210 / 600	160 / 450	210 / 600	160 / 450	210 / 600
Air Cylinder Configuration Stroke (Working/Retract/Wear) (mm)	ST75 (30/50/25)				-	
	ST105 (30/80/25)					
	ST130 (30/105/25)					
	-		ST155 (30/130/25)			
	-		ST180 (30/155/25)			
Servo Motor Configuration	-		ST220 (30/195/25)			
	Motor Max. Force : 600 daN					
	Motor Max. Speed : 750 mm/s					
	Motor Rated Rotating Speed : 3000 rpm					
	Motor spec. : 2 KW / 400 V					
	Motor max stroke : 190 mm					
Transformer	MF90A (2 DIODES) / MF90B (4 DIODES)					
Rated Capacity	90 KVA					
Rectifier	2 DIODES / 4 DIODES					
No-Load Secondary Voltage	10,9 V (at 600 V)					
Frequency	1000 Hz					

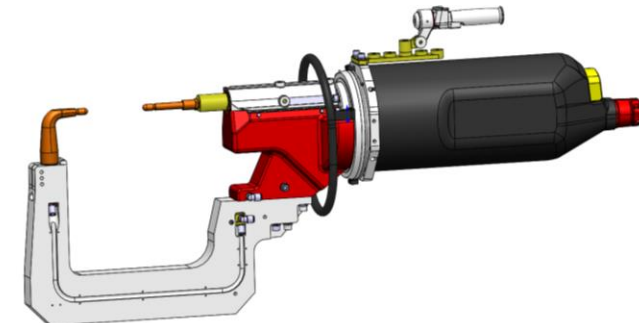
ICS TYPE



ICM TYPE



ICL TYPE



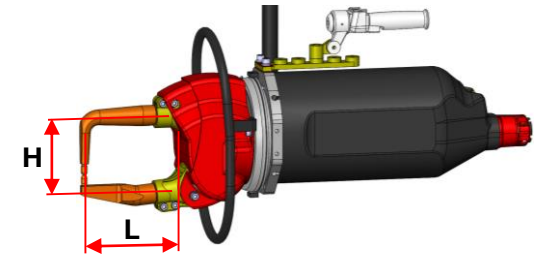
Air or Servo -Integrated Transformer – X GUN Type

■ Features

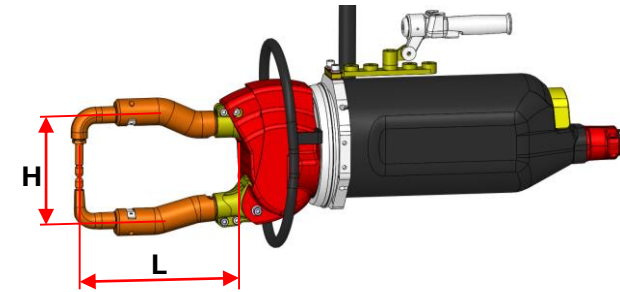
- Standard body for Air Cylinder or Servo motor configuration (switch between cylinder and motor is only necessary)
- Gun body structure designed for 600Kgf, max. force is relative to the window design
- Servo motor configuration advantages :
Soft contact on panel / no air energy necessary / stroke and force adjustable easily

	IXS Small Body	IXM Medium Body	IXP Large Body	IXL Large Body for Alu arms
Air Cylinder Diameter (mm)	Ø90	Ø90	Ø100	Ø100
Min. / Max. Force (Kgf) Standard Air Cylinder Configuration	100 / 400	100 / 450	100 / 450	120 / 450
Window dimensions for standard max. Force H x L	250 x 170	350 x 220	500 x 400	600 x 305
Air Cylinder Configuration Stroke : Working/Retract/Wear (mm)	ST40-20 (9/40/11)			
Servo Motor Configuration	Motor Max. Force : 1600 daN Motor Max. Speed : 375 mm/s Motor Rated Rotating Speed : 3000 rpm Motor spec. : 2 KW / 400 V Motor max stroke : 160 mm			
Transformer	MF90A (2 DIODES) / MF90B (4 DIODES)			
Rated Capacity	90 KVA			
Rectifier	2 DIODES / 4 DIODES			
No-Load Secondary Voltage	10,9 V (at 600 V)			
Frequency	1000 Hz			

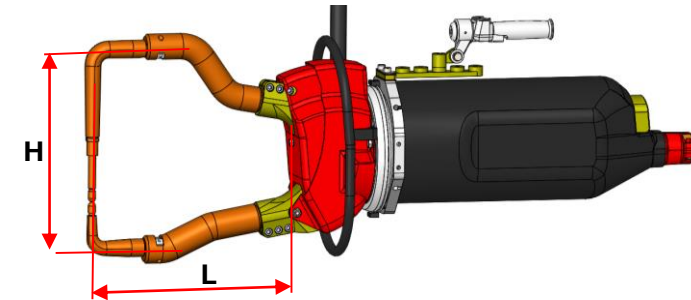
IXS TYPE



IXM TYPE



IXP TYPE



IXL TYPE

